



LED Pole Light Post Top



LED Pole Light Architectural Post Top



0-10V Dimming



Aluminum shell, sturdy and durable



Wet location



**Product Details:**

Transform your outdoor area into a bright and safe space with LED Pole Lights. These outdoor garden lights provide ample illumination, added safety, and a touch of character to your walkway, driveway, pathway, garden path, patio, or any other outdoor spaces. The durable corrosion-resistant cast aluminum construction of this post mount fixture ensures years of beautiful light, making it a stunning focal point on its own. Suitable for wet locations, the powder-coated aluminum housing maintains a new-like appearance for years. Mountable on any standard 2 3/8 inch or 3-inch light pole or lamp post, the black finish gives it a modern look that will enhance the beauty of your outdoor space.

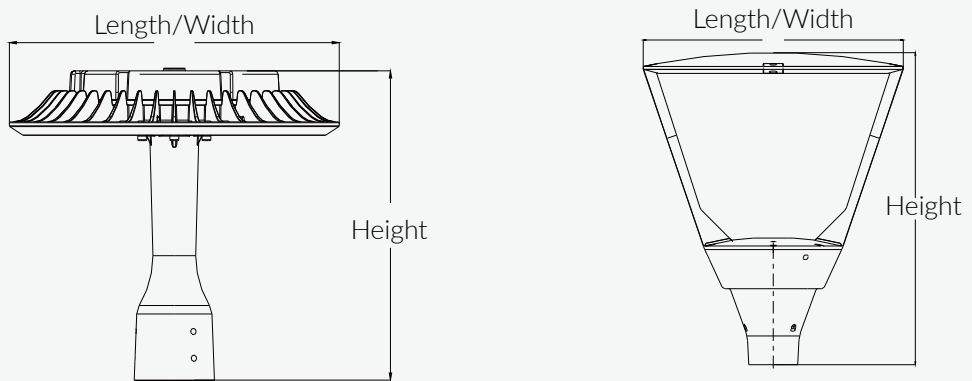
**Feature:**

1. Universal 120-Volt to 277-Volt operation
2. 0-10V Dimming
3. Impact-resistant polycarbonate lens with die-cast aluminum housing
4. With the latest in LED technology, you will save up to 85% on energy costs when compared to traditional light bulbs.
5. Suitable for wet locations

**Application place:**

Ideal for pathway, street, front yard, city expressway, trunk/rustic road, factories, playground, school, garden, courtyard, parking lot, public park, walkway, exterior, driveway, store so on.

**Available Sizes:**



Type	LED Pole Light Post Top	LED Pole Light Architectural Post Top
Length	14.6Inch(370mm)	17.8Inch(452mm)
Width	14.6Inch(370mm)	17.8Inch(452mm)
Height	13.6Inch(346mm)	21.3Inch(541mm)

**Technical Date:**

<p><b>Picture</b></p>		
<p><b>Type</b></p>	<p>LED Pole Light Post Top</p>	<p>LED Pole Light Architectural Post Top</p>
<p><b>Rated Voltage</b></p>	<p>120-277V</p>	
<p><b>Rated Power</b></p>	<p>150W</p>	<p>100W</p>
<p><b>Power Factor</b></p>	<p>0.9</p>	
<p><b>Declared Luminous Flux</b></p>	<p>18000lm</p>	<p>12000lm</p>
<p><b>Color Temperature</b></p>	<p>5000K</p>	
<p><b>Average Ra</b></p>	<p>70</p>	
<p><b>Beam Angle</b></p>	<p>90°</p>	
<p><b>Average Life</b></p>	<p>50000H</p>	
<p><b>Working Temperature</b></p>	<p>-40°C (-40°F) ~ 40°C (+104°F)</p>	
<p><b>Material</b></p>	<p>Aluminium + PC</p>	
<p><b>Dimmable</b></p>	<p>0-10V</p>	
<p><b>Environment</b></p>	<p>Wet Location</p>	
<p><b>Certificate</b></p>	<p>ETL,FCC,DLC</p>	