



0-10V Dimming



High quality aluminium shell



Wet location



Product Details:

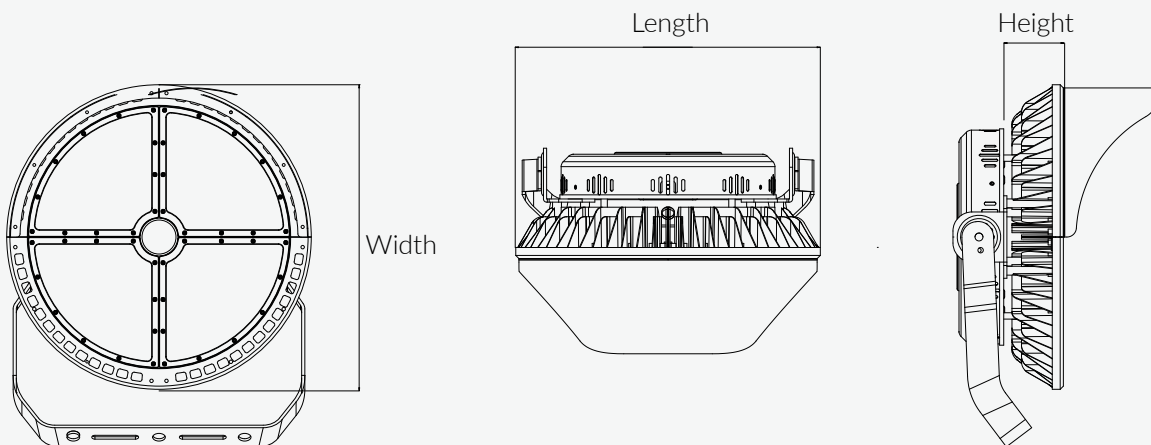
Designed for High School, Collegiate, Recreational and Professional indoor and outdoor sports venues and outdoor stadium lighting. Heavy-Duty, lightweight and durable Die-Cast design for high wear resistance withstands harsh, extreme outdoor conditions. The highly efficient and professional LED sports light, with different NEMA distributions, deliver more foot-candles of illumination to exactly where you need.

Feature:

1. Universal 120-Volt to 277-Volt operation
2. 0-10V Dimming
3. Impact-resistant polycarbonate lens with die-cast aluminum housing
4. With the latest in LED technology, you will save up to 85% on energy costs when compared to traditional light bulbs.
5. Suitable for wet locations


Application place:

Ideal for any outdoor sports lighting, parking lot lighting, dock lighting, high mast flood lighting and stadium lighting.

Available Sizes:

Type	LED Sport Light
Length	18.9Inch(480mm)
Width	18.9Inch(480mm)
Height	3.7Inch(94mm)

Technical Data:

Picture	
Type	LED Sport Light
Rated Voltage	120-277V
Rated Power	500W
Power Factor	0.9
Declared Luminous Flux	66000lm
Color Temperature	5000K
Average Ra	70
Beam Angle	30°
Average Life	50000H
Working Temperature	-40°C (-40°F) ~ 40°C (+104°F)
Material	Aluminium + PC
Dimmable	0-10V
Environment	Wet Location
Certificate	ETL,FCC,DLC