

TOPSTAR

— Since 1958 —

Dim to warm AG GU10



CE CB



Dim to warm



100%



10%

Introduce :

The Dim to Warm GU10 that dims like traditional light sources. Moving through the colour temperature range of 3000K (2700K) to 2000K. Create a warmer and more comfortable environment. The reflector emits directed light in pendant luminaires, spots and spotlights. The lamp fits in all standard GU10 fittings. It only emits frontal light to highlight pictures, decorations or entire wall surfaces with targeted illumination. Perfect for decorative and general lighting applications and creates a warm ambience similar to traditional lamps.

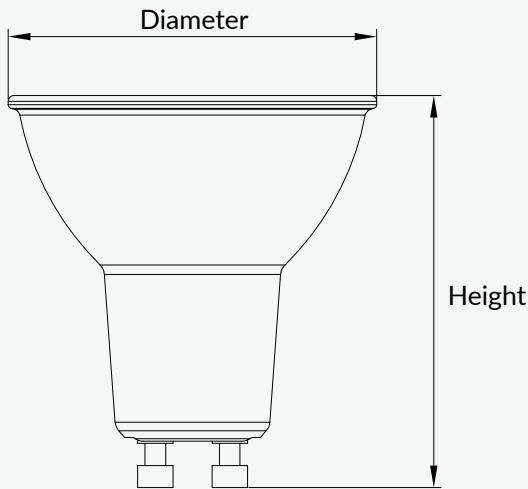
Features & Benefits :

- LED alternative to high voltage halogen lamps.
- Colour temperature: 2000K light up to 3000K - warm white.
- Adjust brightness level from 100% to 10%.
- Design, dimensions, luminous flux comparable to an incandescent or halogen lamp.
- Instant 100 % light, no warm-up time.
- No Flicker and Buzzing, comfortable for your eyes, provides a comfortable, stress-free atmosphere.

Application place :

Commercial Areas/Hospitality Installations/ Residential lighting/ Retail shops/ Social Areas.

Available Sizes :



Type	Diameter	Height
DTW AG GU10	49.8mm	53.5mm

Technical Data :

Lamp Type	DTW AG GU10
Rated Voltage	220-240V
Rated Power	5.5W
Incandescent Equivalent	64W
Power Factor--PF	PF0.9
Displacement Factor--DF	DF0.9
Declared Luminous Flux	Useful 450lm
Color Temperature	2000K-3000K
Average Ra	Ra90
Beam Angle	36°
Average Life	25000H
Working Temperature	-10~40°C
Material	Glass
Dimmable	Dimmable
Weight	52g
Base	GU10
Environment	IP20
Certificate	CE/CB/ERP

