



LED Ceiling Fans
52 Inches Wooden Blade



LED Ceiling Fans
20 Inch Cage



Copper Motor



Remote Control



Reversible DC Motor



Application :

Popular features of LED ceiling fans are ones that use LED lights, which are known for being long lasting, energy saving, and cost effective. Plus, the lights themselves give off just a small amount of heat compared to other types of bulbs, In terms of style, you can find LED ceiling fan that are traditional, modern, or anything in between.

Modern LED ceiling fans work well in a variety of rooms, since they add practicality with the fan and light as well as your personal style. Oftentimes, you'll see modern ceiling fans in dining rooms, kitchens, bedrooms, or even outdoor porches and patios, Of course, you can add an LED ceiling fan in any room to convey your style and help with airflow.

LED ceiling fans with lights are available from small to large sizes. Smaller rooms will likely use a fan that's 36" or 42", while medium rooms benefit from 52" fans. When it comes to larger rooms, look at options like 56", 66, or even larger.

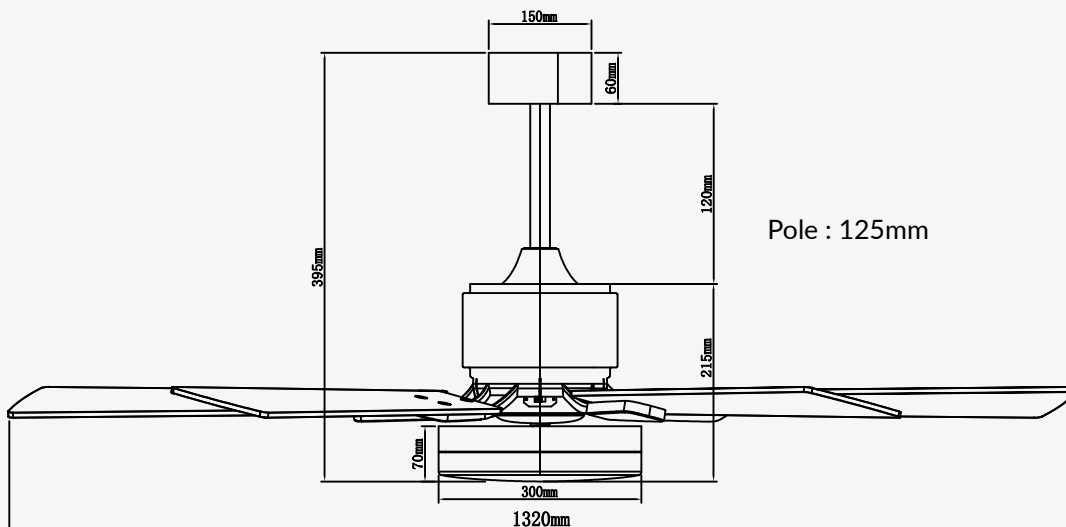
Features :

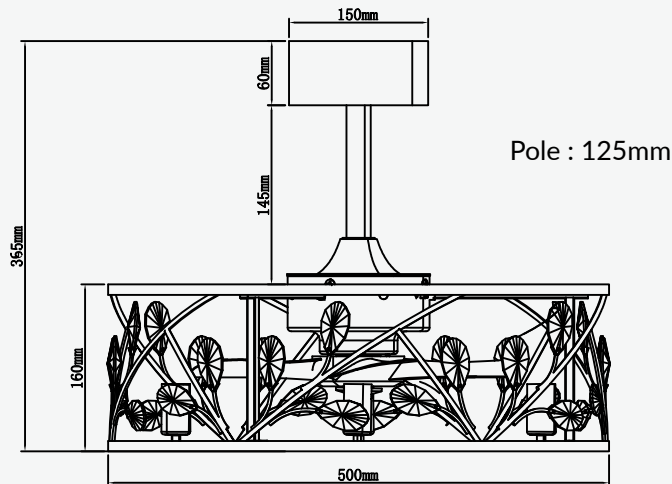
- Silent pure copper motor, Super quiet.
- Remote control, 3 speeds control.
- 3 Models time: 1/2/4 hours.
- Reverse DC motor (Summer: clockwise spinning rapidly cooling. Winter: counter-clockwise to balance the indoor temperature between the cold and warm atmosphere).

Application place :

The product is suitable for Bathroom, Hallways, Restaurants, Hotel and so on.

Available Sizes :





Technical Date :

Picture		
Type	LED Ceiling Fans 52 Inches Wooden Blade	LED Ceiling Fans 20 Inch Cage
Rated Voltage	120V	120V
Rated Power(Motor)	DC65W	DC20W
Rated Power(LED)	18W	/
Power Factor	0.7	0.7
Declared Luminous Flux	1200lm	/
Color Temperature	5CCT(27000K/3000K/ 3500K/4000K/5000K)	5CCT(27000K/3000K/ 3500K/4000K/5000K)
Average Ra	80	80
Beam Angle	120°	120°
Average Life	15000H	15000H
Working Temperature	-20°C(-4°F)~40°C(+104°F)	-20°C(-4°F)~40°C(+104°F)
Material	Metal+ Plywood	Metal+ ABS
Dimmable	YES	YES
Length	52Inch(1320mm)	19.7Inch (500mm)
Width	52Inch(1320mm)	19.7Inch (500mm)
Height	15.5Inch(395mm)	14.4Inch(365mm)
Environment	Damp Location	Damp Location
Certificate	ETL、 FCC	ETL、 FCC