

**TOPSTAR**

— Since 1958 —

# Selene Panel Ceiling light



CE CB

**Application :**

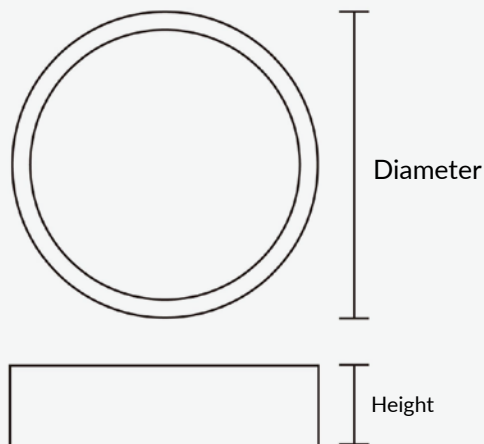
The Selene Panel Ceiling light focuses on high quality LED Lighting. Low-profile modern style, this modern ceiling light looks elegant, clean and minimalistic and is therefore ideal for modern furnishing styles. The lights are perfect for any area with low ceiling. The flat back of the flush light fixture blends in with the ceiling, freeing up space while matching any decorating style. Ideal for bedroom, kitchen, dining room, closet, bathroom, living room, laundry room, etc.

**Features :**

- Super Bright ,Easy Installation,Energy-saving & Longer lifetime.
- Edge-lit design & Simple Concept ,profile less than 25mm.
- Excellent and uniform lighting performance thanks to side-lit light guide technology.
- High energy efficiency ,Up to 100lm/w.
- Easy installation by mounting brackets.
- $PST < 1$  ,  $SVM < 0.4$  .

**Application place :**

Residential home/Living room/Bedroom/Apartments...

**Available Sizes :**

Type	Height	Diameter
Selene D220	25mm	225mm
Selene D300	25mm	300mm
Selene D400	25mm	400mm

**Technical Data :**

Lamp Type	Selene D220	Selene D300	Selene D400
Rated Voltage	220-240V	220-240V	220-240V
Rated Power	16W	24W	32W
Power Factor--PF	/	/	/
Displacement Factor--DF	DF0.7	DF0.7	DF0.9
Declared Luminous Flux	1600lm	2400lm	3200lm
Color Temperature	3000K/6500K	3000K/6500K	3000K/6500K
Average Ra	Ra80	Ra80	Ra80
Beam Angle	110°	110°	110°
Average Life	25000H	25000H	25000H
Working Temperature	-10~40 °C	-10~40 °C	-10~40 °C
Material	Plastic	Plastic	Plastic
Dimmable	NO	NO	NO
Weight	/	/	/
Environment	IP20	IP20	IP20
Certificate	CE/CB/ERP	CE/CB/ERP	CE/CB/ERP