



Panel 2*2 ft



Panel 2*4 ft



Panel 1*4 ft

CE CB

Introduce:

Whether for a new building or renovation of an existing space, customers want lighting solutions that provide quality of light and substantial energy and maintenance savings. Topstar focuses on high quality LED Lighting. Low-profile modern style, it looks elegant, clean and minimalistic and is therefore ideal for modern furnishing styles. The lights are perfect for any area with low ceiling. The flat back of the flush light fixture blends in with the ceiling, freeing up space while matching any decorating style.

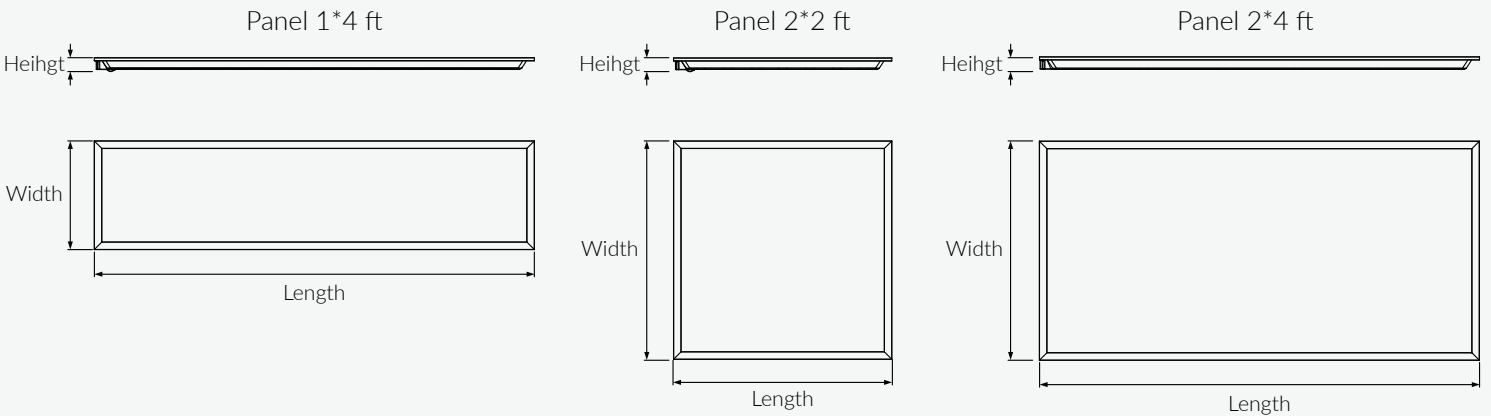
Feature & Benefits:

1. Backlit technology offers high uniformity of light output
2. Super Bright, Easy Installation, Energy-saving & Longer lifetime
3. High energy efficiency, Up to 120lm/w
4. Low flicker light thanks to special electronic control gear, Pst≤1.0, SVM≤0.4

Application place:

Classrooms, Conference Rooms, Corridors, Offices...

Available Sizes:



| Type | Length | Height | Width |
|--------------|-------------------|------------------|----------------|
| Panel 1*4 ft | 47.05Inch(1195mm) | 11.61Inch(295mm) | 1.26Inch(32mm) |
| Panel 2*2 ft | 23.43Inch(595mm) | 23.43Inch(595mm) | 1.30Inch(33mm) |
| Panel 2*4 ft | 47.05Inch(1195mm) | 23.43Inch(595mm) | 1.38Inch(35mm) |

Technical Data:

| Lamp Type | Panel 1*4 ft | Panel 2*2 ft | Panel 2*4 ft |
|---------------------------|----------------------------|---------------|---------------|
| Input Voltage | 220-240V | | |
| Rated Power | 30W/33W | 30W/33W | 36W/42W |
| Power Factor--PF | PF0.9 | | |
| Displacement Factor--DF | DF0.9 | | |
| Declared Luminous Flux | 3600lm/4000lm | 3600lm/4000lm | 4320lm/5040lm |
| Color Temperature | 4000K/6500K | | |
| Average Ra | 80 | | |
| Beam Angle | 110° | | |
| Average Life | 50000H | | |
| Working Temperature | -10 C (14 F)~40 C (+104 F) | | |
| Material | Metal, Plastic | | |
| Unified Glare Rating--UGR | UGR<22 | | |
| Dimmable | NO | | |
| Environment | IP20 | | |
| Certificate | CE/CB/ERP | | |