

TOPSTAR

— Since 1958 —

Night light Lamps A60/BR30



Night Light
Unique Nightlight Design

CE CB



100°



220°

Application :

Convert incandescent lights to LED with White Nightlight Lamps from TOPSTAR. Save energy and customize the look of your space all in one light. These innovative lamps feature regular lighting and a night light option. Then, go from regular lighting to night light mode with the flip of a standard light switch. In night light mode, you get a soft 2000K glow for those late-night trips to the bathroom or kitchen. Integrated LED technology saves energy and lasts years. Replace fewer bulbs and get the perfect lighting for your space. Upgrade to high-quality LED that looks great and fits your needs day and night.

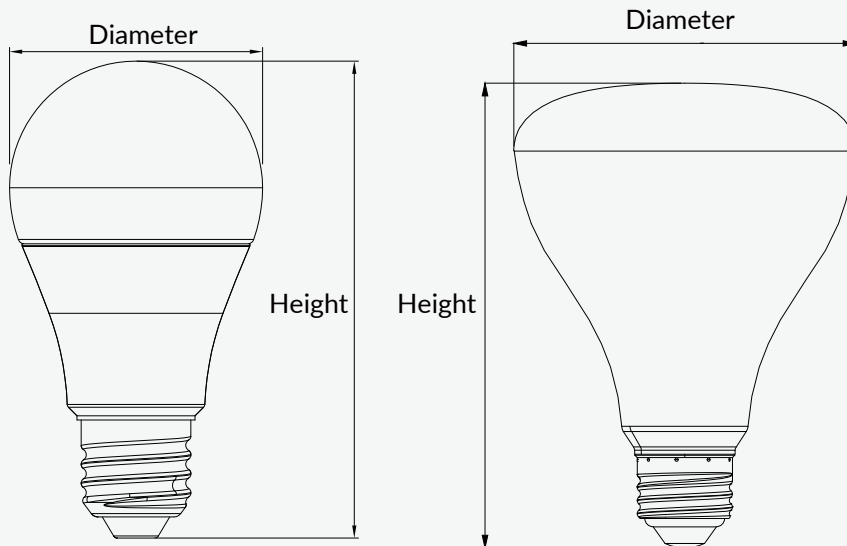
Features & Benefits :

- Go from regular lighting to night light mode with a flip of a light switch.
- Night light: soft and uniform, not dazzling.
- No Flicker and Buzzing, comfortable for your eyes, provides a comfortable, stress-free atmosphere.
- CRI80 High ability of revealing the colors of various objects faithfully and protect your eyes, allowing you to enjoy the most realistic objects' color.
- Energy efficient LED technology uses considerably less power and last longer compared to equivalent incandescent lights.

Application place :

The product is suitable for residential home, living room, bedroom, apartments, hotel, restaurant and so on.

Available Sizes :



Type	Diameter	Height
A60	2.36Inch(60mm)	4.69Inch(119mm)
BR30	3.70Inch(94mm)	5.12Inch(130mm)

Technical Data :

Lamp Type	A60	BR30
Rated Voltage	220-240V	
Rated Power	8.5W	
Incandescent Equivalent	60W	/
Displacement Factor--DF	≥0.5	
Declared Luminous Flux—Key light	806lm	
Declared Luminous Flux—Night light	< 10lm	
Color Temperature	Key light 5000K&Night light 2000K	
Average Ra	Ra80	
Beam Angle	220°	100°
Average Life	15000H	
Working Temperature	-10°C(14°F)~40°C(+104°F)	
Material	Plastics and Aluminum	
Dimmable	NO	
Diameter	2.36Inch(60mm)	3.70Inch(94mm)
Height	4.69Inch(119mm)	5.12Inch(130mm)
Base	E27	
Certificate	CE/CB/ERP	