

TOPSTAR

— Since 1958 —

Battery Emergency Module



CE CB

Application :

Emergency modules can be easily installed in ceiling lights or other fixtures with relatively large space, so that they can be upgraded to have emergency lighting functions. Small structure, can be installed in the fixture (such as ceiling lamp, living room lamp, wall lamp), so that the lamp has emergency function. The magnet of the module can be easily adsorbed on the fixture whose bottom shell is made of iron material. If not, the 3M adhesive in the accessory can also be fixed in the fixture. The terminal block design can be easily installed in only two steps. Connect the driver input cable to the module according to the label, and then connect the module input cable to the mains. The emergency Module will stay bright during power outage for up to 90min, you will never be left in dark again. With a capacity of 800mAh lithium battery, it can be stored for a long time and has long service life. In the non-emergency state, the emergency module will not work and light up regardless of whether the connected lamp is working.

When the mains is off, the module enters the emergency working state, the light source is on, and the emergency time is ≥ 90 minutes. In the emergency state, the working time of the emergency module can be rationally utilized by controlling the wall switch emergency module of the connected lamp.

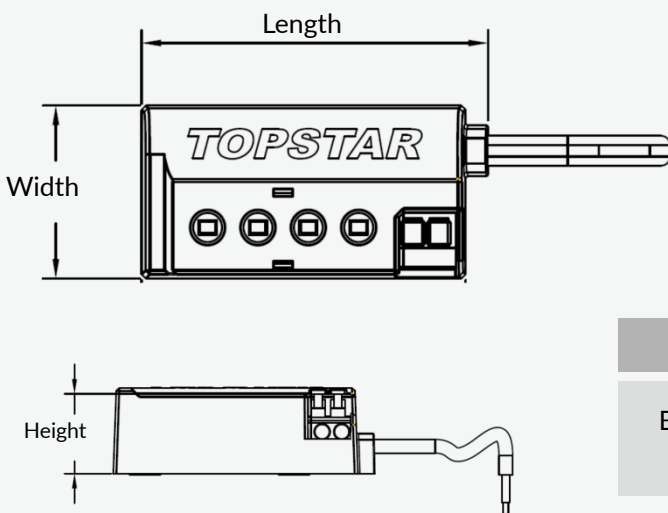
Features :

- Easy to install, Magnet adsorption or 3M glue fixation.
- Simple wiring, fast product upgrade.
- Small structure and wide application.
- No Flicker and Buzzing, comfortable for your eyes, provides a comfortable, stress-free atmosphere.
- CRI80 High ability of revealing the colors of various objects faithfully and protect your eyes, allowing you to enjoy the most realistic objects' color. provides a comfortable, stress-free atmosphere.

Application place :

Residential home/Living room/Bedroom/Apartments/Hotel/Restaurant

Available Sizes :



Type	Length	Width	Height
Battery Emergency Module	67mm	33mm	21mm

Technical Data :

Lamp Type	Battery Emergency Module
Rated Voltage	220-240V
Rated Power	2W-0.4W
Displacement Factor--DF	/
Declared Luminous Flux	120lm-60lm
Color Temperature	3000K/6500K
Average Ra	Ra80
Beam Angle	120°
Average Life	15000H
Working Temperature	-10~40℃
Material	Plastic
Dimmable	NO
Environment	IP20
Certificate	CE/CB

Available Sizes :