

TOPSTAR

— Since 1958 —

Zed Tri-proof Light A Type



CE CB



Application :

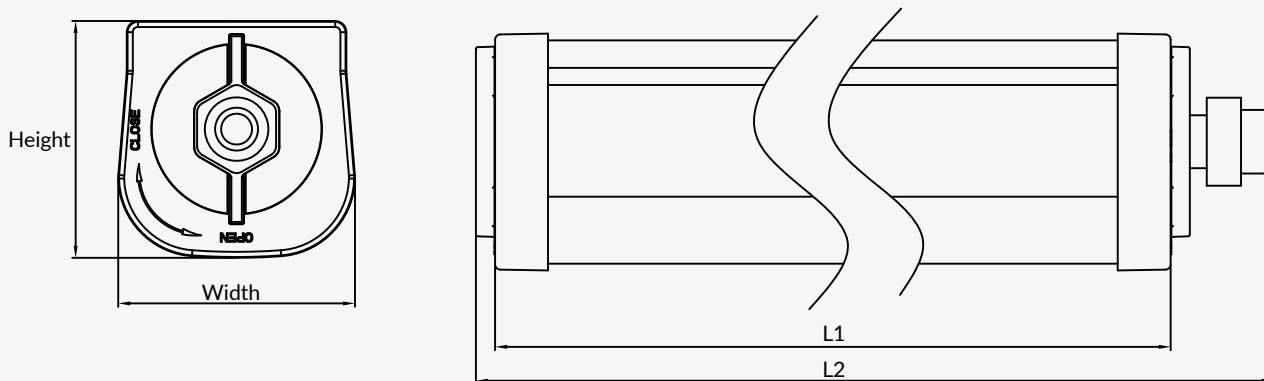
LED integrated waterproof fixture in 600mm, 1200mm, 1500mm nominal length . High efficiency , up to 135lm/W system efficiency and 45,000 hours lifetime Supplied with movable stainless steel mounting clips for a flexible and easy installation. LED Zed Tri-proof luminaires that provide an ideal solution for applications such as workshops, garages and outdoor covered spaces.

Features & Benefits :

- Easy Installation by mounting brackets.
- High quality robust PC UV Resistant Material.
- IP65、IK08.
- Function optional: Standard/Microwave/EmergencyEmergency power than standard 3Wemergency state can be used for 3 hourslight pass 200lm.
- Microwave and emergency voltage 220~240V.

Application place :

Car parks/ Underground Areas/Warehouses/Workshops.

Available Sizes :

Type	Height	Width	L1	L2
Zed Tri-proof Light 2Ft	68mm	68mm	600mm	630mm
Zed Tri-proof Light 4Ft	68mm	68mm	1200mm	1230mm
Zed Tri-proof Light 5Ft	68mm	68mm	1500mm	1530mm

