



HID replacement Apollo E40

CE CB

### **Introduce:**

Topstar Apollo Led HID replacement light 100W and 140W can replace the lamp 400W. High efficiency, up to 140lm/W system efficiency and 50,000 hours lifetime. Equipped with E40 base, it is easy to install and disassemble, providing an ideal solution for warehouses, factories, etc.

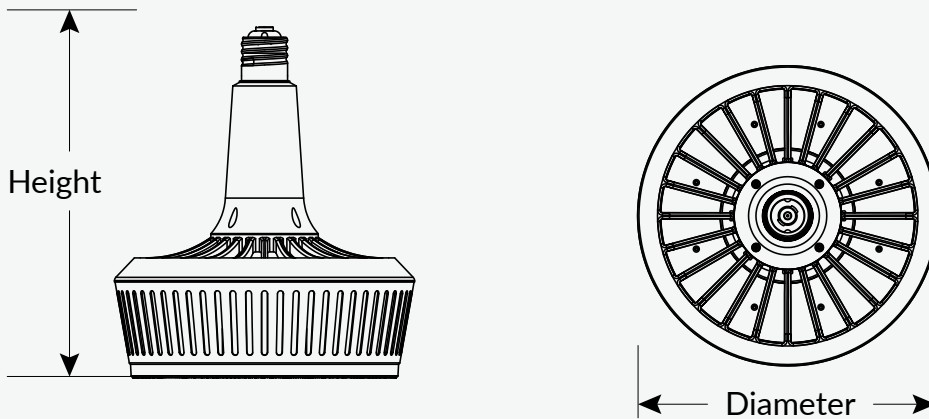
## Features & Benefits:

- Easy installation: easy to connect directly into E40 base, no need other wiring
- High efficiency , up to 140lm/W ,optional:120lm/w、 140lm/w
- New grid and fin structure design, provides Apollo wonderful heat dissipation. offering continuous and stable lighting. thus expand lifespan

## Application place:

Factory/warehouse/industry/post-top lighting...

## Available Sizes:



| Type                   | Diameter        | Height           |
|------------------------|-----------------|------------------|
| HID replacement Apollo | 9.9 Inch(251mm) | 11.5 Inch(293mm) |

## Technical Data:

| Lamp Type               | HID replacement<br>Apollo 100W | HID replacement<br>Apollo 140W |
|-------------------------|--------------------------------|--------------------------------|
| Rated Voltage           | 220-240V                       |                                |
| Rated Power             | 100W                           | 140W                           |
| Displacement Factor--DF | DF0.9                          |                                |
| Power Factor--PF        | PF0.95                         |                                |
| Declared Luminous Flux  | 12000lm                        | 16800lm                        |
| Color Temperature       | 4000K/6500K                    |                                |
| Average Ra              | Ra80                           |                                |
| Beam Angle              | 110°                           |                                |
| Average Life            | 50000H                         |                                |
| Working Temperature     | -10°(14°F)~40°C(104°F)         |                                |
| Material                | Aluminium /PC Material         |                                |
| Dimmable                | NO                             |                                |
| Base                    | E40                            |                                |
| Environment             | IP20                           |                                |
| Certificate             | CE/CB/ERP                      |                                |