



LED Canopy Light Square



LED Canopy Light Curve Shade



0-10V Dimming



Aluminum shell, sturdy and durable



Wet location



Product Details:

The CNY LED canopy luminaire is a versatile and energy-efficient solution for replacing up to 150-Watt HID luminaires. CNY LED provides a great, cost-effective canopy lighting solution best suited for gas stations, schools and strip malls. Expected service life over 5-years no maintenance costs and hassles. CNY LED lights have quick mount mechanism so no need to open fixture for installation or maintenance which saves time for contractor

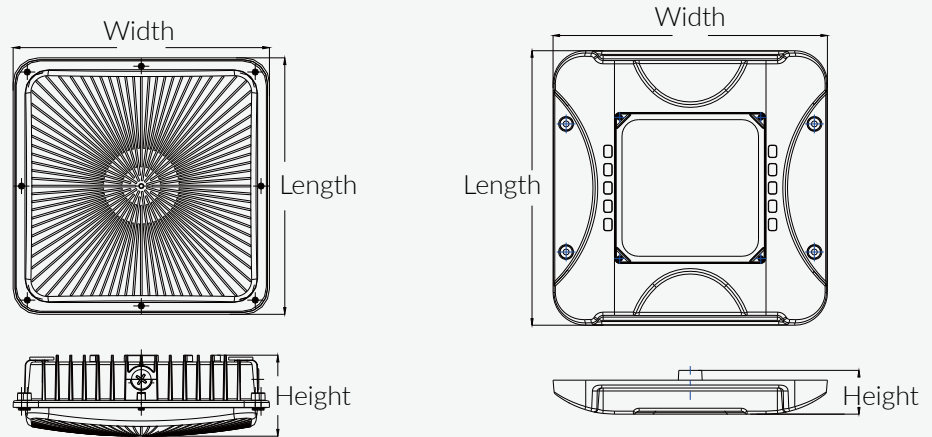
Feature:

1. Universal 120-Volt to 277-Volt operation
2. 0-10V Dimming
3. Impact-resistant polycarbonate lens with die-cast aluminum housing
4. With the latest in LED technology, you will save up to 85% on energy costs when compared to traditional light bulbs.
5. Suitable for wet locations

Application place:

Ideal for warehouse, garage, gas station, and other commercial lighting applications, Support ceiling mount or conduit pipe Mount or bracket mount.

Available Sizes:



Type	LED Canopy Light Curve Shade	LED Canopy Light Square
Length	10.4Inch(265mm)	16.5Inch (420mm)
Width	10.4Inch(265mm)	16.5Inch (420mm)
Height	3.3Inch(84mm)	2.6Inch (67mm)

Technical Data:

Picture		
Type	LED Canopy Light Curve Shade	LED Canopy Light Square
Rated Voltage	120-277V	
Rated Power	40/60/80W	100/125/150W
Power Factor	0.9	
Declared Luminous Flux	4800/7200/9600lm	12000/15000/18000lm
Color Temperature	4000K	
Average Ra	70	
Beam Angle	120°	
Average Life	50000H	
Working Temperature	-40°C (-40°F) ~ 40°C (+104°F)	
Material	Aluminum+ PC	
Dimmable	0-10V	
Environment	Wet Location	
Certificate	ETL,FCC,DLC	