

TOPSTAR

— Since 1958 —

Spot Light EC0-1 Series



3CCT



42°

CE CB

Introduce:

The ECO-1 Spot Light Series has the features of simple and beautiful appearance, compact structure, lightweight and easy to use, soft light, safe use and high efficiency; It is a kind of LED luminaire suitable for indoor lighting which is directly mounted on the ordinary mounting surface. Used in shopping malls, offices, airport terminals, train stations, subways, etc. .Different scenes have different local lighting designs, and you can enjoy life in more detail.

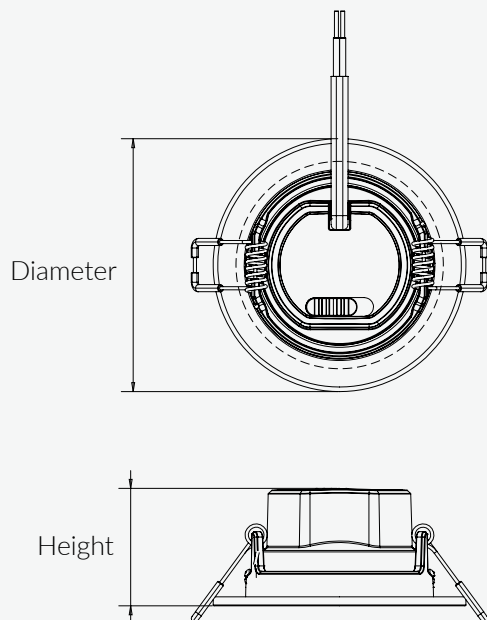
Feature & Benefits:

1. Optional: Basic Type or Toggle 3CCT Type
2. High light transmission polyester convex lens to reduce light loss.
3. No Flicker and Buzzing, comfortable for your eyes, provides a comfortable, stress-free atmosphere
4. CRI80 High ability of revealing the colors of various objects faithfully and protect your eyes, allowing you to enjoy the most realistic objects' color. provides a comfortable, stress-free atmosphere.

Application place:

Residential home/Living room/Bedroom/Apartments/Hotel/Restaurant.

Available Sizes:



Type	Height	Diameter
Spot Light ECO-1	1.57Inch(40mm)	3.34Inch(85mm)

Technical Data:

Lamp Type	ECO-1 Basic	ECO-1 Toggle 3CCT
Input Voltage	220-240V	
Rated Power	4.5W	
Declared Luminous Flux	450lm	
Color Temperature	3000K/6500K	3000K&4000K&5700K
Average Ra	80	
Beam Angle	42°	
Average Life	25000H	
Working Temperature	-10 C (14 F)~40 C (+104 F)	
Material	Plastic	
Cut-out	2.75Inch(70mm)	
Weight	72g	
Environment	IP20	
Certificate	CE/CB/ERP	