

**CE CB****Introduce:**

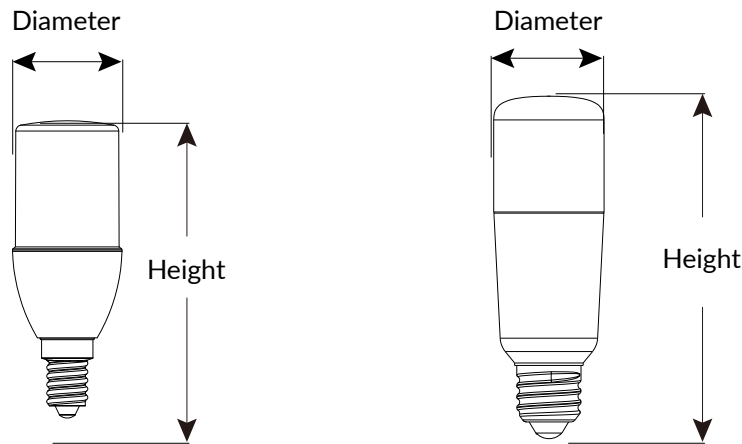
Perfect for decorative and general lighting applications and creates a warm ambience similar to traditional lamps. Great replacement lamp for traditional incandescent lamp. Up to 92% energy saving compared to incandescent lamps.

**Features & Benefits:**

- A sleek, compact and highly energy efficient , produce natural and neat atmosphere.
- Replace traditional incandescent, halogen and compact fluorescent lamps.
- Omni-directional light distribution design make it a bright, all-around lighting
- Ultra-high luminous efficiency, >160lm/w @3000K
- No Flicker and Buzzing, comfortable for your eyes, provides a comfortable, stress-free atmosphere.
- CRI80, allowing you to enjoy the most realistic objects' color. provides a comfortable, stress-free atmosphere.
- Up to 92% energy saving, less heat output and extremely long lifespan 25000hrs.

**Application place :**

Our vintage style LED bulbs are ideal for your home, office, restaurant, lobbies, cafés and hotel.

**Available Sizes :**

Type	Diameter	Height
T37-E14	37mm	98mm
T38	37.4mm	44.7mm
T45	115mm	137mm

## Technical Date:

Lamp Type	T37-E14	T38	T38	T45	T45
Rated Voltage	220-240V	220-240V	220-240V	220-240V	220-240V
Rated Power	2.9W	2.9W	5W	6.5W	9.5W
Incandescent Equivalent	40W	40W	60W	75W	100W
Power Factor--PF	/	/	/	/	/
Displacement factor--DF	/	/	DF0.5	DF0.5	DF0.5
Declared Luminous Flux	470lm	470lm	806lm	1055lm	1521lm
Color Temperature	2700K/6500K	2700K/6500K	2700K/6500K	2700K/6500K	2700K/6500K
Average Ra	Ra80	Ra80	Ra80	Ra80	Ra80
Beam Angle	240°	240°	240°	240°	240°
Average Life	25000H	25000H	25000H	25000H	25000H
Working Temperature	-10~40℃	-10~40℃	-10~40℃	-10~40℃	-10~40℃
Material	Plastics& Aluminum	Plastics& Aluminum	Plastics& Aluminum	Plastics& Aluminum	Plastics& Aluminum
Dimmable	NO	NO	NO	NO	NO
Weight	/	/	/	/	/
Base	E27	E27	E27	E27	E27
Environment	IP20	IP20	IP20	IP20	IP20
Certificate	CE/CB/ERP	CE/CB/ERP	CE/CB/ERP	CE/CB/ERP	CE/CB/ERP

