

TOPSTAR

— Since 1958 —

Surface Mounted Spot light Rotated folding circular Type



CE CB

Introduce :

A circular folding anti-glare spotlight with a clear surface, which can rotate freely in 360°; the geometric lines on the exterior of the lamp outline a modern style and soft layered effect, which can be used in any scene. In the minimalist design without the main light, the absence of the main light will not only make the room dull, but have a sense of atmosphere and fashion. Choose the corresponding lighting design in different scenes, which can bring you a unique and comfortable life feeling. LED downlights not only have bright and soft lighting, but also fashionable color schemes, adding a touch of youthful modernity to the original luxury.

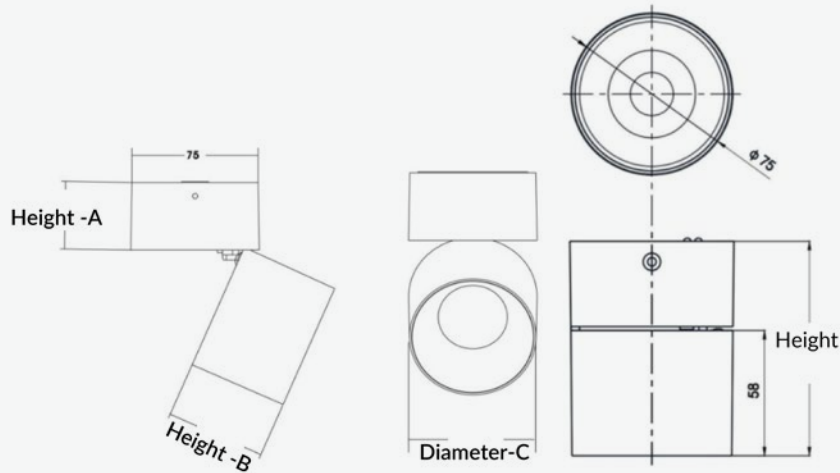
Features & Benefits :

- The lamp head can be adjusted in a humanized 360-degree rotation..
- Multi-angle adjustment, spatial lighting to say goodbye to dead angle.
- Two Appearances, can be matched with different decoration styles.
- High quality aluminum, good heat dissipation, guaranteed life, up to 25000hrs.
- No Flicker and Buzzing, comfortable for your eyes, provides a comfortable, stress-free atmosphere.
- High display index Ra90, like a built-in filter, the color fiber is full and the color is truly restored and protect your eyes, allowing you to enjoy the most realistic objects' color. provides a comfortable, stress-free atmosphere.

Application place :

The modern and simple design makes the lamps suitable for dining room, living room, corridor, kitchen, bedroom and many other applications. Also suitable for store lighting, gallery lighting, display lighting, task lighting and so on .

Available Sizes :



Type	Height	Height -A	Height -B	Diameter
SM Spot light Rotated folding circular Type	100mm	40mm	58mm	75mm

Technical Data :

Lamp Type	SM Spot light Rotated folding circular Type
Rated Voltage	220-240V
Rated Power	10W
Power Factor--PF	DF0.5
Displacement Factor--DF	DF0.5
Declared Luminous Flux	700lm
Color Temperature	3000K/4000K
Average Ra	Ra90
Beam Angle	36°
Average Life	25000H
Working Temperature	-10~40℃
Material	Aluminum
Appearance and colour	White、 Black
Dimmable	NO
Environment	IP20
Certificate	CE/CB

