



Panel 2\*2 ft



Panel 2\*4 ft



Panel 1\*4 ft

CE CB

**Introduce:**

Whether for a new building or renovation of an existing space, customers want lighting solutions that provide quality of light and substantial energy and maintenance savings. Topstar focuses on high quality LED Lighting. Low-profile modern style, it looks elegant, clean and minimalistic and is therefore ideal for modern furnishing styles. The lights are perfect for any area with low ceiling. The flat back of the flush light fixture blends in with the ceiling, freeing up space while matching any decorating style.

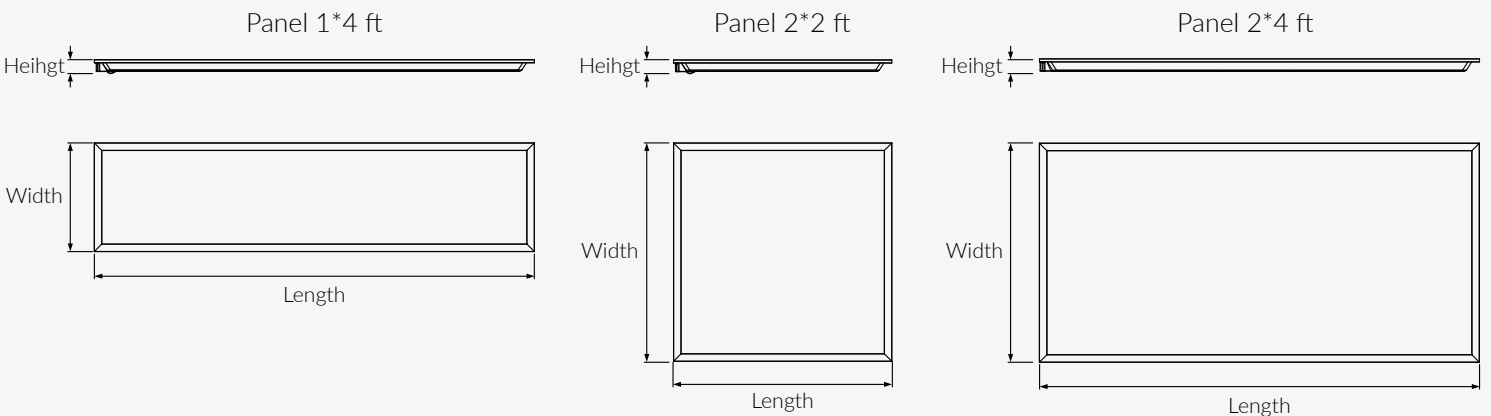
**Feature & Benefits:**

1. Backlit technology offers high uniformity of light output
2. Super Bright, Easy Installation, Energy-saving & Longer lifetime
3. High energy efficiency, Up to 120lm/w
4. Low flicker light thanks to special electronic control gear, Pst≤1.0, SVM≤0.4

**Application place:**

Classrooms, Conference Rooms, Corridors, Offices...

**Available Sizes:**



Type	Length	Height	Width
Panel 1*4 ft	47.05Inch(1195mm)	11.61Inch(295mm)	1.26Inch(32mm)
Panel 2*2 ft	23.43Inch(595mm)	23.43Inch(595mm)	1.30Inch(33mm)
Panel 2*4 ft	47.05Inch(1195mm)	23.43Inch(595mm)	1.38Inch(35mm)

**Technical Data:**

Lamp Type	Panel 1*4 ft	Panel 2*2 ft	Panel 2*4 ft
Input Voltage	220-240V		
Rated Power	30W/33W	30W/33W	36W/42W
Power Factor--PF	PF0.9		
Displacement Factor--DF	DF0.9		
Declared Luminous Flux	3600lm/4000lm	3600lm/4000lm	4320lm/5040lm
Color Temperature	4000K/6500K		
Average Ra	80		
Beam Angle	110°		
Average Life	50000H		
Working Temperature	-10 C (14 F)~40 C (+104 F)		
Material	Metal, Plastic		
Unified Glare Rating--UGR	UGR<22		
Dimmable	NO		
Environment	IP20		
Certificate	CE/CB/ERP		